

## SHADOW ZOOM RGBW LED DMX



### CODES

#### PRF-0611936B-RGBW

Temp. Col. Full Color  
Manual / W-DMX

Shadow Zoom is a compact, elegant, flexible and lightweight LED profile spot for commercial and architectural lighting thanks to the high CRI and a linear dimmer curve. Ideal for lighting art galleries, monuments, churches, shops and shop windows.

Compact and bright LED zoom profile spot with precise optics, uniform projection with sharp images. 60W max RGBW LED source. Gobo holder included for E size gobo (gobo size Ø 37.5 mm, image size Ø 25 mm).

Cylindrical-shaped fixture with adjustable single-arm fork for suspension mounting and positioning in any orientation. Optical manual zoom from 19° to 36°, optical assembly composed of HQ glass lens, manual focus. Four independent adjustable shutter blades for shaping the light beam.

Three-pole power supply cable with plug, three-circuit electrified track adapter available on request. Integrated switching power supply, 60W power consumption. Manual adjustment via display or remotely with 4/6/11-channel wireless W-DMX protocol. Integrated antenna receiver (2.4 GHz). High resolution black OLED display. Functions: linear electronic dimmer 0-100% on single colors, 4 adjustable dimmer curves, electronic Strobe 1 - 30 Hz, Color Macro, Color Temperature Macro, Automatic Programs.

Cooling: fanless projector and structure designed for natural convection dissipation. Body in high resistance die-cast aluminum. White color.

### PHOTOMETRIC CHARACTERISTICS

**Source Type:** LED RGBW

**Color Temperature:** Full Color RGBW

**Light Source Yield:** 130 lm/W

**Useful Light Expectation:** 50000 h

**Lumen Maintenance:** L80B20

**Luminaire Emission:** 720 lm

**Beam Aperture:** Zoom 19° ÷ 36°

**Photobiological Risk Class:** 0 - Exempt

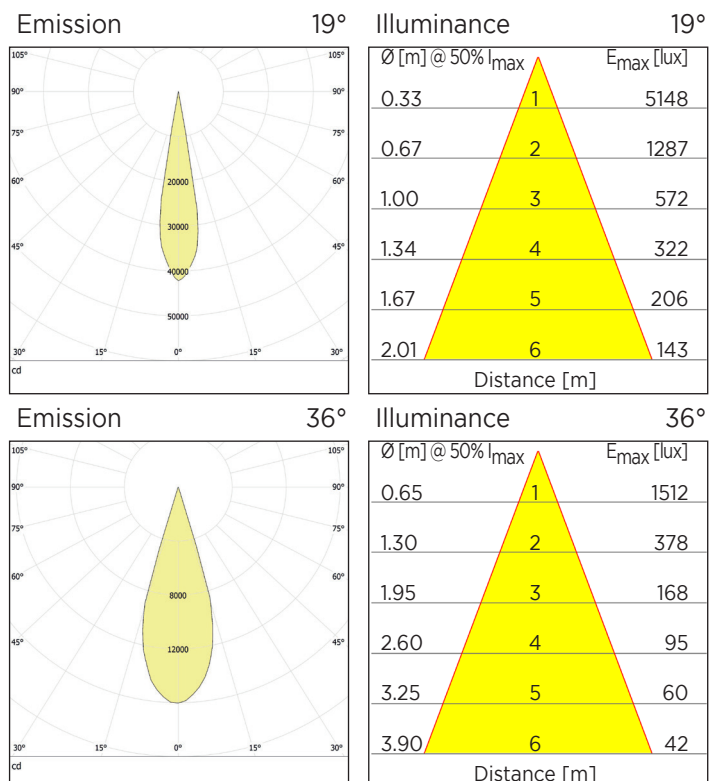
Shadow Zoom is a compact, elegant, flexible and lightweight LED profile spot for commercial and architectural lighting thanks to the high CRI and a linear dimmer curve. Ideal for lighting art galleries, monuments, churches, shops and shop windows.

Compact and bright LED zoom profile spot with precise optics, uniform projection with sharp images. 60W max RGBW LED source. Gobo holder included for E size gobo (gobo size Ø 37.5 mm, image size Ø 25 mm).

Cylindrical-shaped fixture with adjustable single-arm fork for suspension mounting and positioning in any orientation. Optical manual zoom from 19° to 36°, optical assembly composed of HQ glass lens, manual focus. Four independent adjustable shutter blades for shaping the light beam.

Three-pole power supply cable with plug, three-circuit electrified track adapter available on request. Integrated switching power supply, 60W power consumption. Manual adjustment via display or remotely with 4/6/11-channel wireless W-DMX protocol. Integrated antenna receiver (2.4 GHz). High resolution black OLED display. Functions: linear electronic dimmer 0-100% on single colors, 4 adjustable dimmer curves, electronic Strobe 1 - 30 Hz, Color Macro, Color Temperature Macro, Automatic Programs.

Cooling: fanless projector and structure designed for natural convection dissipation. Body in high resistance die-cast aluminum. White color.



## ELECTRICAL CHARACTERISTICS

**Driver:** integrated

**Power Supply:** 230 V ac, 50/60 Hz

**Absorption:** 60W

**Socket:** Tripolar cable with plug

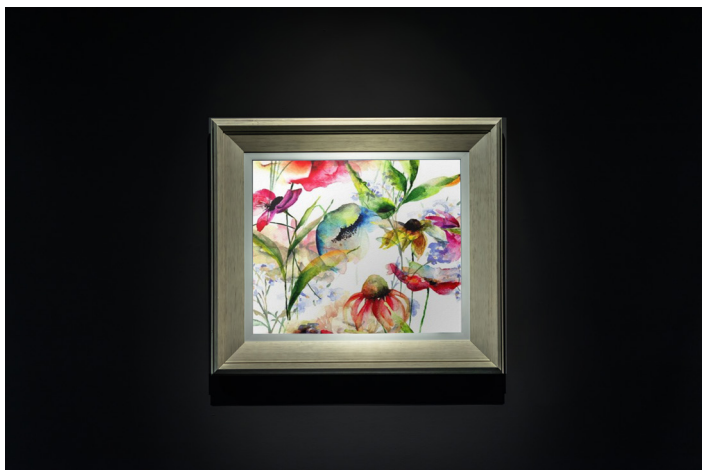
**Insulation class:** I

**Emergency Function:** no

**Dimmable:** yes

**Control Signal:** Manual via display - Remote via W-DMX 4/6/11 channels

**Performed Functions:** on/off - dimmer - RGBW mix - strobe - macro



## MECHANICAL CHARACTERISTICS

**Luminaire Color:** White

**Optical System:** Optical system with manual zoom and focus adjustment

**Adjustable Beam:** Light beam adjustable +/- 90° with respect to the vertical

**Type of Installation:** Suspended / Track mounted with adapter accessory

**Walkable / Carriageable:** no

**Flammable Surfaces:** Suitable to be installed on normally inflammable surfaces

**Protection Rating:** IP20

**Mechanical Resistance:** IK06

**Dimensions:** 183 x 230 x 338 mm

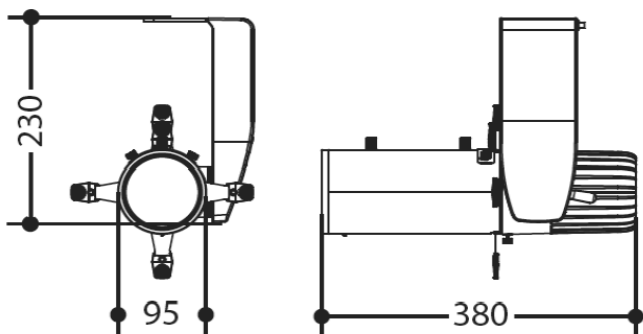
**Weight:** 2.9 kg

**Ambient Temperature Ta:** -10°C / +45°C

**Reference Norms:** the product meets the requirements of:

- compliance with RoHS Directive 2011/65 / EU.
- electromagnetic compatibility in accordance with the EMC 2014/30 / EU and LVD 2014/35 / EU directives.
- photobiological compatibility according to EN 62471: 2010.

## DIMENSIONS



## ACCESSORIES



3 Circuits Track adapter, code APL1443DB

PRF-0611936B-it.pdf - Rev. 0 - 11/2019

Arena Luci Design s.r.l.  
via Svizzera 12/14 - 46042 Castel Goffredo (MN)  
Tel: +39 0376 782411 - Fax: +39 0376 780973  
www.arenaluci.it - info@arenaluci.it

**Arenaluci**