



SHADOW ZOOM LED DMX



CODES

PRF-0451936B-WW

Temp. Col. 3000 K - Manual / W-DMX

PRF-0451936B-NW

Temp. Col. 4000 K - Manual / W-DMX

PRF-0451936B-W

Temp. Col. 5100 K - Manual / W-DMX

Shadow Zoom is a compact, elegant, flexible and lightweight LED profile spot for commercial and architectural lighting thanks to the high CRI and a linear dimmer curve. Ideal for lighting art galleries, monuments, churches, shops and shop windows.

Compact and bright LED zoom profile spot with precise optics, uniform projection with sharp images. 35W LED source with high CRI. Gobo holder included for E size gobo (gobo size Ø 37.5 mm, image size Ø 25 mm).

Cylindrical-shaped fixture with adjustable single-arm fork for suspension mounting and positioning in any orientation. Optical manual zoom from 19° to 36°, optical assembly composed of HQ glass lens, manual focus. Four independent adjustable shutter blades for shaping the light beam.

Three-pole power supply cable with plug, three-circuit electrified track adapter available on request. Integrated switching power supply, 45W power consumption. Manual adjustment via display or remotely with 3-channel wireless W-DMX protocol. Integrated antenna receiver (2.4 GHz). High resolution black OLED display. Functions: linear electronic dimmer 0-100%, 4 adjustable dimmer curves, electronic Strobe 1 - 30 Hz.

Cooling: fanless projector and structure designed for natural convection dissipation. Body in high resistance die-cast aluminum. White color.

PHOTOMETRIC CHARACTERISTICS

Source Type: High power white LED

Color Temperature: 3000 K (WW) - 4000 K (NW) - 5100 K (W)

Color Tolerance: 3 MacAdam

Light Source Yield: 130 lm/W

Color Rendering Index (CRI): > 90

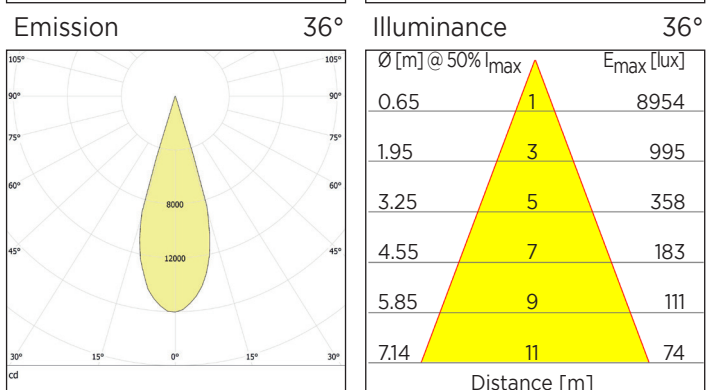
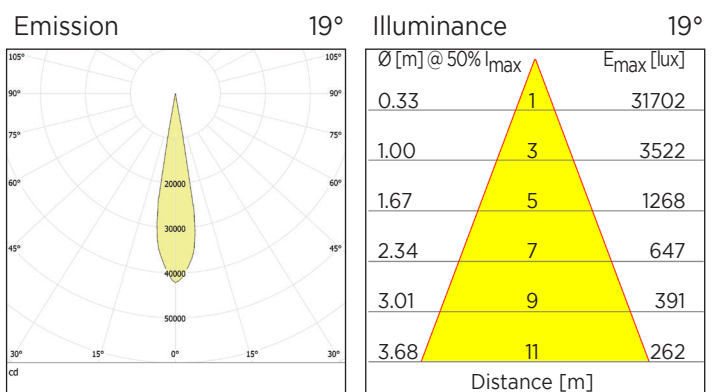
Useful Light Expectation: 50000 h

Lumen Maintenance: L80B20

Luminaire Emission: 2280 lm (WW) - 2360 lm (NW) - 3050 lm (W)

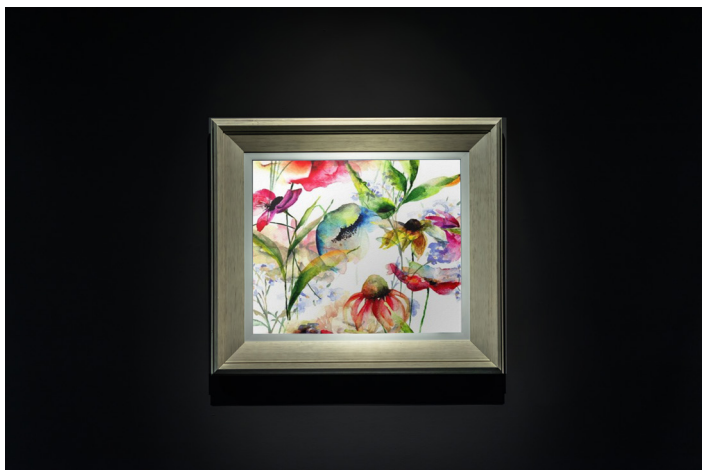
Beam Aperture: Zoom 19° ÷ 36°

Photobiological Risk Class: 0 - Exempt



ELECTRICAL CHARACTERISTICS

Driver: integrated
Power Supply: 230 V ac, 50/60 Hz
Absorption: 45W
Socket: Tripolar cable with plug
Insulation class: I
Emergency Function: no
Dimmable: yes
Control Signal: Manual via display - Remote via W-DMX 3 channels
Performed Functions: on/off - dimmer - strobe

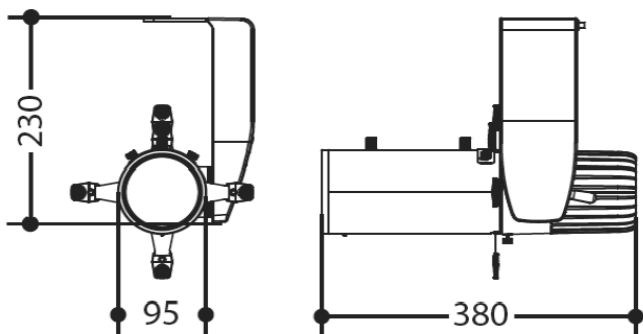


MECHANICAL CHARACTERISTICS

Luminaire Color: White
Optical System: Optical system with manual zoom and focus adjustment
Adjustable Beam: Light beam adjustable +/- 90° with respect to the vertical
Type of Installation: Suspended / Track mounted with adapter accessory
Walkable / Carriageable: no
Flammable Surfaces: Suitable to be installed on normally inflammable surfaces
Protection Rating: IP20
Mechanical Resistance: IK06
Dimensions: 183 x 230 x 338 mm
Weight: 2.5 kg
Ambient Temperature Ta: -10°C / +40°C
Reference Norms: the product meets the requirements of:

- compliance with RoHS Directive 2011/65 / EU.
- electromagnetic compatibility in accordance with the EMC 2014/30 / EU and LVD 2014/35 / EU directives.
- photobiological compatibility according to EN 62471: 2010.

DIMENSIONS



ACCESSORIES



3 Circuits Track adapter, code APL1443DB

PRF-0451936B-en.pdf - Rev. 0 - 11/2019

Arena Luci Design s.r.l.
via Svizzera 12/14 - 46042 Castel Goffredo (MN)
Tel: +39 0376 782411 - Fax: +39 0376 780973
www.arenaluci.it - info@arenaluci.it

Arenaluci