



MINI SHADOW LED Elite



CODES

PRF-03019B-WW
Temp. Col. 3000 K
19°

PRF-03019B-W
Temp. Col. 6000 K
19°

PRF-03026B-WW
Temp. Col. 3000 K
26°

PRF-03026B-W
Temp. Col. 6000 K
26°

PRF-03036B-WW
Temp. Col. 3000 K
36°

PRF-03036B-W
Temp. Col. 6000 K
36°

PRF-03050B-WW
Temp. Col. 3000 K
50°

PRF-03050B-W
Temp. Col. 6000 K
50°

Mini Shadow is a compact, elegant, flexible and lightweight LED profile spot for commercial and architectural lighting thanks to the high CRI and a linear dimmer curve. Ideal for lighting art galleries, monuments, churches, shops and shop windows.

Compact and bright mini LED profile spot with precise optics, uniform projection with clear images. 28W Cree LED source with high CRI. Gobo holder included for E size gobos (gobo size Ø 37.5mm, image size Ø 25 mm).

Cylindrical-shaped fixture with adjustable single-arm fork for suspension mounting and positioning in any orientation. Interchangeable optical tube with bayonet connection and fixing screw, available with different fixed beam angles: 19°, 26°, 36°, 50°.

Four independent adjustable shutter blades for shaping the light beam.

Three-pole power supply cable with plug, three-circuit electrified track adapter available on request. Integrated switching power supply, 30W power consumption. Manual adjustment via integrated knob from 0 to 100%.

Fanless cooling, natural convection. Body in high resistance die-cast aluminum. White color.

PHOTOMETRIC CHARACTERISTICS

Source Type: LED Cree

Color Temperature: 3000 K (WW) - 6000 K (W)

Color Tolerance: 3 MacAdam

Light Source Yield: 130 lm/W

Color Rendering Index (CRI): > 90

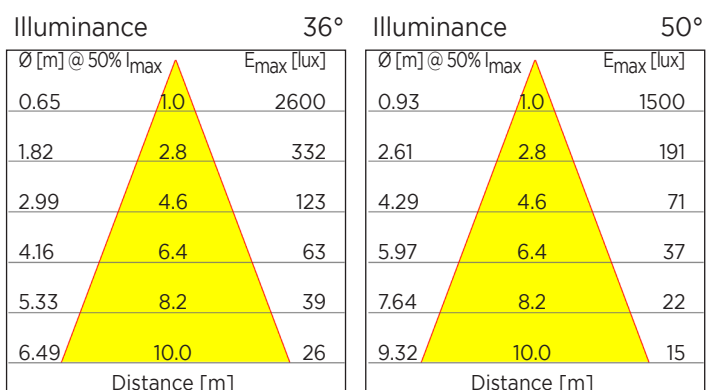
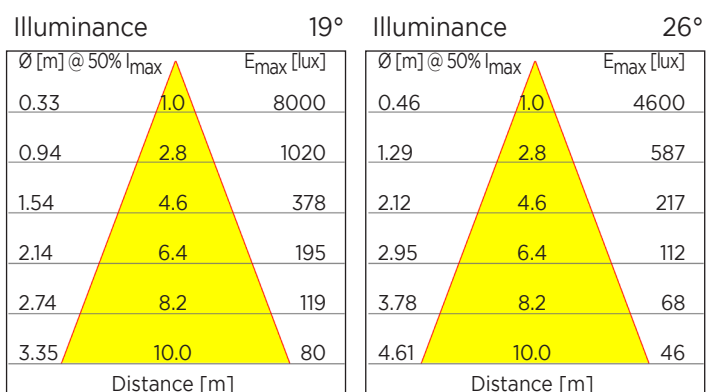
Useful Light Expectation: 50000 h

Lumen Maintenance: L80B20

Luminaire Emission: 915 lm (WW) - 980 lm (W)

Beam Aperture: 19° - 26° - 36° - 50°

Photobiological Risk Class: 0 - Exempt

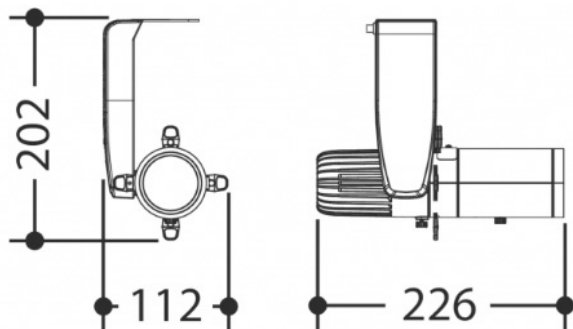


ELECTRICAL CHARACTERISTICS

Driver: integrated
Power Supply: 230 V ac, 50/60 Hz
Absorption: 30 W
Socket: Tripolar cable with plug
Insulation class: I
Emergency Function: no
Dimmable: yes
Control Signal: with integrated control: knob
Performed Functions: on/off - dimmer



DIMENSIONS



MECHANICAL CHARACTERISTICS

Luminaire Color: White
Optical System: Optical system with interchangeable lenses with slide guide for focusing
Adjustable Beam: Light beam adjustable +/- 90° with respect to the vertical
Type of Installation: Suspended / Track mounted with adapter accessory
Walkable / Carriageable: no
Flammable Surfaces: Suitable to be installed on normally inflammable surfaces
Protection Rating: IP20
Mechanical Resistance: IK05
Dimensions: Ø 66 x 226 mm (body)
Weight: 1.2 kg
Ambient Temperature Ta: -10°C / +40°C
Reference Norms: the product meets the requirements of:

- compliance with RoHS Directive 2011/65 / EU.
- electromagnetic compatibility in accordance with the EMC 2014/30 / EU and LVD 2014/35 / EU directives.
- photobiological compatibility according to EN 62471: 2010.

ACCESSORIES



Additional 19° beam optics, code BA03019
Additional 26° beam optics, code BA03026
Additional 36° beam optics, code BA03036
Additional 50° beam optics, code BA03050



3 Circuits Track adapter, code APL1443DB

PRF-030xxB MiniShadow Series-en.pdf - Rev. 0 - 11/2019

Arena Luci Design s.r.l.
via Svizzera 12/14 - 46042 Castel Goffredo (MN)
Tel: +39 0376 782411 - Fax: +39 0376 780973
www.arenaluci.it - info@arenaluci.it

Arenaluci