



## DALI LED DMX 7° ÷ 48°



### CODES

#### SPTD7055B-WW

Temp. Col. 3000 K  
DMX-RDM

#### SPTD7055B-NW

Temp. Col. 4000 K  
DMX-RDM

#### SPTD7055B-W

Temp. Col. 5700 K  
DMX-RDM

Spot zoom projector with PC front lens, high efficiency replaceable LED source, long life, heat sink with low noise 8 dB max fan, available in three different color temperatures, 3000 K, 4000 K and 5700 K, CRI > 90.

Rectangular compact shape, front plano-convex antialo glass lens, manually adjustable zoom from 7° to 48°.

Fixing system with adjustable fork +/- 50° with respect to the horizontal, optional accessory adapter with three circuits for electrified track.

Three-pole power cable, integrated switching power supply. XLR 5-pin input/output connectors for DMX control; RDM functionality for remote management of projector parameters.

Dimmable by DMX signal.

The master dimmer has a soft and continuous adjustment from 5 to 100%.

Body in aluminum and steel plate, white epoxy paint resistant to scratches. Gray and black colors available on request.

### PHOTOMETRIC CHARACTERISTICS

**Source Type:** Interchangeable LED module

**Color Temperature:** 3000 K (WW), 4000 K (NW), 5700 K (W)

**Color Tolerance:** 2 MacAdam

**Light Source Yield:** 120 lm/W

**Color Rendering Index (CRI):** > 90

**Useful Life Expectation:** 50000 h

**Lumen Maintenance:** L80B20

**Luminaire emission:** 4510 lm (WW), 4950 lm (NW), 4950 lm (W)

**Beam Aperture:** 7° ÷ 48° manual zoom

**Photobiological Risk Class:** 0 - Exempt

Spot zoom projector with PC front lens, high efficiency replaceable LED source, long life, heat sink with low noise 8 dB max fan, available in three different color temperatures, 3000 K, 4000 K and 5700 K, CRI > 90.

Rectangular compact shape, front plano-convex antialo glass lens, manually adjustable zoom from 7° to 48°.

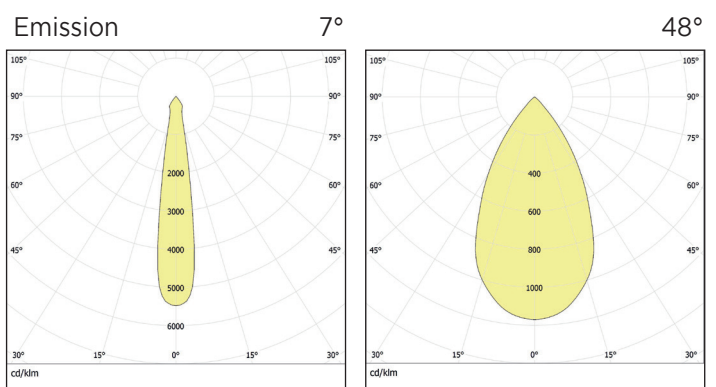
Fixing system with adjustable fork +/- 50° with respect to the horizontal, optional accessory adapter with three circuits for electrified track.

Three-pole power cable, integrated switching power supply. XLR 5-pin input/output connectors for DMX control; RDM functionality for remote management of projector parameters.

Dimmable by DMX signal.

The master dimmer has a soft and continuous adjustment from 5 to 100%.

Body in aluminum and steel plate, white epoxy paint resistant to scratches. Gray and black colors available on request.

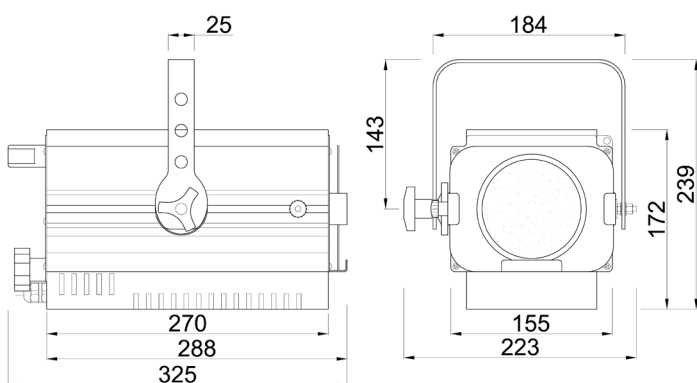


## ELECTRICAL CHARACTERISTICS

**Driver:** integrated  
**Power Supply:** 230 V ac, 50 Hz  
**Absorption:** 55 W  
**Socket:** Pre-assembled three-pole cable  
**Insulation Class:** I  
**Dimmable:** Through DMX signal  
**Control Signal:** DMX-RDM, 2 channels  
**Performed Functions:** Dimmer - Strobe



## DIMENSIONS



## MECHANICAL CHARACTERISTICS

**Luminaire color:** White  
**Optical system:** Glass plano-convex lens  
**Adjustable Beam:** Adjustable fork +/- 50°  
**Type of Installation:** On fixing structure or on electrified track with optional adapter  
**Flammable surfaces:** Suitable to be installed on normally inflammable surfaces  
**Protection Rating:** IP20  
**Mechanical Resistance:** IK06  
**Dimensions:** 325 x 223 x 172 mm  
**Weight:** 4.8 kg  
**Ambient Temperature:** -10°C / +40°C  
**Reference Norms:** the product meets the requirements of:  
- compliance with RoHS Directive 2011/65 / EU.  
- electromagnetic compatibility in accordance with the EMC 2014/30 / EU and LVD 2014/35 / EU directives.  
- photobiological compatibility according to EN 62471: 2010.

## ACCESSORIES



*4 leaves barndoor, code PR8060*



*Three circuits adapter for electrified track, code APL1443DB*

SPTD7055B-EN.pdf - Rev. 0 - 12/2019

Arena Luci Design s.r.l.  
via Svizzera 12/14 - 46042 Castel Goffredo (MN)  
Tel: +39 0376 782411 - Fax: +39 0376 780973  
[www.arenaluci.it](http://www.arenaluci.it) - [info@arenaluci.it](mailto:info@arenaluci.it)

**Arenaluci**